

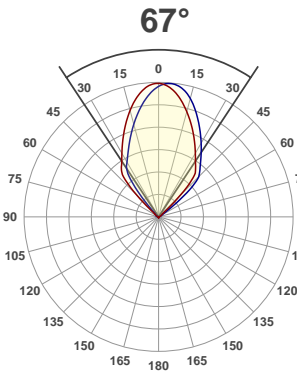
Light efficiency:



Light quality:



Color temperature:



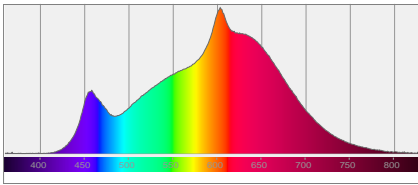
Product name:
DTW Blinder 700 IP

Test:
Full On

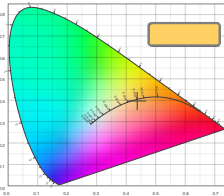
Date:
5/9/2017

Output: 10822 lm Power consumption: 383 W Peak: 9257 cd

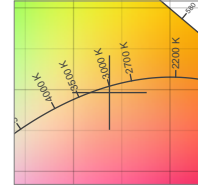
Spectral distribution



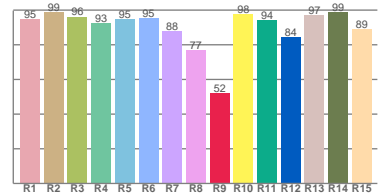
Color coordinates



Zoom color point

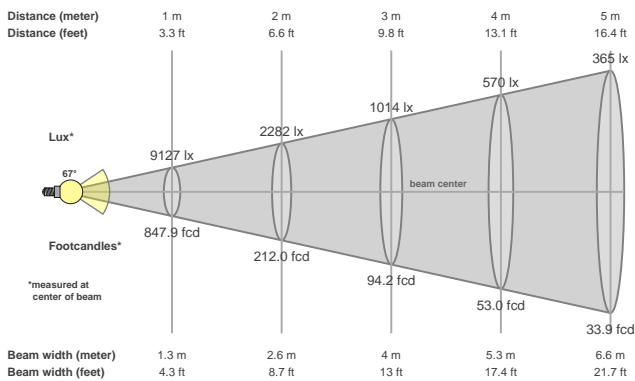


CRI R values



Color temperature	Color rendering index	Red component	Color fidelity	Color gamut	Color quality scale	Color coordinate cie 1931	Color coordinate cie 1931	Color coordinate	Color coordinate	Color divition from black body
CCT	CRI	CRI R9	TM30 Rf	TM30 Rg	CQS	x	y	u	v	Δuv
2934 K	92.2	52.2	89.8	97.9	90.2	0.437	0.396	0.254	0.346	0.0031

Beam details



Beam angles

Beam angle 50%	Field angle 10%	Cutoff angle 2,5%
67°	96.9°	118°

Beam intensities

Peak intensity	Int. ratio in 120° cone	Int. ratio in 90° cone
9257 cd	1.0%	0.9%

Power

Power	Power factor	Power frequency
383 W	1.0	0 Hz

Nominal voltage	Voltage	Current
230 V	116 V	3.30 A

Beam intensities from 1-20m

1m	2m	3m	4m	5m	6m	7m	8m	9m	10m	11m	12m	13m	14m	15m	16m	17m	18m	19m	20m
3.3ft	6.6ft	9.8ft	13.1ft	16.4ft	19.7ft	23ft	26.2ft	29.5ft	32.8ft	36.1ft	39.4ft	42.7ft	45.9ft	49.2ft	52.5ft	55.8ft	59.1ft	62.3ft	65.6ft
9127lx	2282lx	1014lx	570lx	365lx	254lx	186lx	143lx	113lx	91lx	75lx	63lx	54lx	47lx	41lx	36lx	32lx	28lx	25lx	23lx
847.9fcd	212fcd	94.2fcd	53fcd	33.9fcd	23.6fcd	17.3fcd	13.2fcd	10.5fcd	8.5fcd	7fcd	5.9fcd	5fcd	4.3fcd	3.8fcd	3.3fcd	2.9fcd	2.6fcd	2.3fcd	2.1fcd